



User-Service Manual

Joerns[®] Transport Chairs

CareChair

Tilt-in-Space Chair with Stretcher
Model RCCC550B, RCCC650B, RCCC850B

To avoid injury, read user's manual before using.



Camtec[™]
The Caregiver's Choice

Important Precautions

- ⚠ **Caution:** Rotating Parts. Keep fingers and arms clear of chair's moving parts when mechanism is operating.
- ⚠ **Caution:** Pinch Points. While adjusting back or arm rests, patient's arms must be inside arm rests.
- ⚠ **Caution:** Pinch Points. Keep objects away from these areas while chair is in motion.
- ⚠ **Caution:** Pinch Points. Keep objects away from arm rest while lowering.
- ⚠ **Warning: Possible Injury Or Death.** Do not leave unattended when on a sloped surface. Lock casters when not in use or unattended. Failure to do so could result in injury or death.
- ⚠ **Caution:** Keep feet clear of casters. Make sure casters are locked before transferring patient.
- ⚠ **Warning: Possible Injury Or Death.** Lock casters when not in use or unattended. Failure to do so could result in injury or death.
- ⚠ **Caution:** Use tilt function to level the arm rest before going into the transfer (stretcher) position. Raise arm rest when patient is in stretcher position.
- ⚠ **Caution:** Make sure that the pendant cord is properly positioned before operating the chair. Do not allow cord to get caught in the moving parts of the chair.
- ⚠ **Warning:** Possible Injury Or Death. Resident/patients may become entangled in pendant cord. Resident/patients with reduced mental acuity should not be allowed access to pendant. Unsupervised use of pendant could result in injury or death.
- ⚠ **Warning: Possible Injury.** Keep all objects from under chair. Certain parts under the chair raise and lower when the chair is in motion.
- ⚠ **Caution:** Make sure I.V. rod and oxygen tank are fully inserted into their holders.
- ⚠ **Caution:** Make sure the power cord is unplugged and stored before moving chair.
- ⚠ **Warning: Possible Shock Hazard.** Do not operate this device if the power cord or any of the cords coming from the control module are cut, frayed, damaged or loosely connected.
- ⚠ **Warning: Possible Injury.** Do not place any body parts into frame while operating. Stand Clear of the chair's frame before operating.
- ⚠ **Warning: Possible Shock Hazard.** Do not service the chair without first disconnecting the power cord.
- ⚠ **Caution:** Caster lock is not designed to slow motion of the CareChair while in motion. Do not engage lock pedal while moving the chair.
- ⚠ **Caution:** Pinch points possible during manual adjustment of foot rest. Always use both hands when raising or lowering the leg rest
- ⚠ **Warning: Possible Injury Or Death.** CareChair safe working load is based per model. This is total weight counting resident/patient, accessories, linens and any other equipment or persons likely to be on chair. Do not exceed safe working load. Exceeding the safe working load could result in property damage, injury or death.
- ⚠ **Caution:** Risk of Personal Injury. In the event worn or broken part(s) are identified, remove the device from service until repairs are made.
- ⚠ **Caution:** Risk of Personal Injury. Do not sit on head or foot end when unit is in the horizontal (stretcher) position.
- ⚠ **Warning: Possible Injury.** Adjust arm rests only after the resident/patient is safely positioned in the chair. Failure to do so could result in injury.
- ⚠ **Warning: Possible Injury.** Prior to operation, ensure chair has space in the room to tilt and recline as needed.
- ⚠ **Caution:** Risk of Personal Injury. Use the push/pull handles integrated to the back section to move the chair. Recommend 2 attendants to push occupied 850 lb. chair.
- ⚠ **Warning: Possible Injury.** Restraining belt is available for safe operation. Caregiver is obligated to assess if the restraining belt is required to ensure safety of the patient. Serious injury can occur in the event of a fall from the chair.
- ⚠ **Caution:** Seat belt adjustment may be required for patient comfort when articulating the chair.
- ⚠ **Caution:** Do not use the footrest as a step when patient sits or stands from the chair.
- ⚠ **Warning: Possible Injury Or Death.** If using accessories not manufactured, marketed, or provided by Joerns Healthcare for CareChairs, consult with the manufacturer for compatibility and limitations prior to use. Failure to do so may result in injury or death.

Table of Contents

Important Precautions2
Introduction3
Specifications4
Operation5
Accessories Instructions for Use7
Inspection and Maintenance8
Cleaning8
Troubleshooting9
Appendix A10
Warranty24

Introduction

The Joerns 550B, 650B and 850B Tilt-in-Space CareChairs have been designed primarily for use in hospitals and other institutions to support patients whose weight exceeds the limit of conventional chairs and who may require special positioning.

The welded tubular frames have 3 available seat widths and are designed to support a safe working load of 550, 650 and 850 lbs. respectively. The power-assisted positioning reduces strain on the caregiver while offering convenient pressure redistribution for the patient. The on-board battery operation allows full facility mobility improving the dignity of care to the most challenging patients.

The chairs adjust from a full upright sitting position to a full stretcher position. They tilt back to redistribute the patient's weight, aiding in comfort and pressure relief. The chairs also tilt forward to assist in patient's egress. When in the supine position, the patient can receive treatment, emergency care or be more easily transferred from the chair to a bed. While in the stretcher mode, the chair has the ability to go into the trendelenburg position.

The chairs are equipped with a central steering and locking system which provides convenient, one step access to the steering and total lock functions. The 6" swivel casters allow for easy chair movement to facilitate patient transport.

Save These Instructions

Thank you and congratulations for choosing Joerns CareChairs. Joerns transport chairs are developed with safety, comfort and convenience of both residents/patients and caregivers in mind.

Advanced ergonomic patient handling will provide years of reliable service in your facility.

For More Information

To learn more about compliance options with Joerns products, visit our website at www.joerns.com, or contact our Customer Care at 800-826-0270 and ask for free informational publications.

Specifications

	550B	650B	850B
Weight Capacity	550 lbs. (250 kg)	650 lbs. (295.5 kg)	850 lbs. (386.4 kg)
Chair Weight	180 lbs. (81.8 kg)	196 lbs. (89.1 kg)	210 lbs. (95.5 kg)
Overall Width	32"	35"	39"
Seat Depth	18"	18"	19"
Back Angle	0-65°		
Tilt Angle	0-15°		
Seat Height Above Floor	Chair Position: 24" Stretcher Position: 30"		
Arm Rest (side rail) Height Above Seat	Chair Position: 7" - 18" Stretcher Position: 1" - 10"		
Power Requirements	Power: 120 VAC Frequency: 60 Hz Current Rating: 4.0 Amps Mode of Operation: 10% Maximum Duty Cycle 2 minutes on/18 minutes off Circuit Protection: Auto Reset Current Sensor		
Battery	We suggest the batteries be charged for 24 hours prior to first use. Thereafter, when the battery capacity is approximately 0% it takes about 4-5 hours to reach 80% of the battery capacity level. We recommend a charging time up to 10 hours which gives 100% capacity. To achieve optimum battery life, keep the chair plugged in at all times when chair is stationary.		
Environmental Conditions	<p>Operating Conditions</p> <p>Ambient Temperature: +10°C to +40°C</p> <p>Relative Humidity: 30% to 75% Non-Condensing</p> <p>Atmospheric Pressure: 700 hPa to 1060 hPa</p> <p>Protected Against Splashing Water: IPX4</p> <p>Storage and Shipping Conditions</p> <p>Ambient Temperature: -40°C to +70°C Relative Humidity: 10% to 100%</p> <p>Atmospheric Pressure: 500 hPa to 1060 hPa</p>		
Foot Rest	Length adjustable individually, manual 0 - 5"		
Leg Rest	Angle adjustable individually, manual and affected by other position changes		
Casters	Diameter: 6" Width: 3" Operated by central steer/lock system Tread Guards: Non-marring		
Standard	Oxygen Tank Holder, Inclinator, Captive IV Rod and Holder (adjustable height), 4-way stretch Urethane padded cushion cover		
Options	Tray - Not yet available on 850 model Commode Seat		
Shipping Weight	Approximately 300 lbs. (plus accessories)		

Operation

Instructions for use of 550B, 650B, 850B Tilt Chair Battery Electronic Controlled Convert & Tilt

Whenever making adjustments to the CareChair, the brakes must be on.

⚠ Caution: When adjusting position of back, exercise caution that patient arms are inside arm rests.

Position Adjustment

Lock the wheels before changing the chair position

A good operating procedure is to charge the unit, by keeping it plugged in, when not in use. You cannot overcharge the system by leaving the unit plugged in.

The control box duty cycle: max. 10% or 2 minutes continuous use followed by 18 minutes not in use. The control box has electronic overload protection. The current will be cut off when the control box is not in use.

Pendant Functions (Figure 1)

1. Button converts chair to horizontal position
2. Button converts chair to seat position
3. Button tilts chair forward to assist in egress from chair
4. Button tilts chair back for comfort in the chair position, in the horizontal position the head end can be tilted down into the trendelenburg position (Figure 2).



Figure 2



Figure 1

Brake Pedal Position (Figure 3)

1. BRAKE ON: All (4) wheels locked from rolling and swiveling.
2. BRAKE OFF: All (4) wheels unlocked free to roll and swivel.
3. STEER ON: (3) Wheels unlocked, free to roll and swivel, and one wheel is locked in the in-line position. This allows the chair to have better steering control.

Leg Rest Height Adjustment (Figure 4)

To Raise

1. Move lever to lock position
2. Move leg rest up to desired height. Leg rest will automatically lock into desired position

To Lower

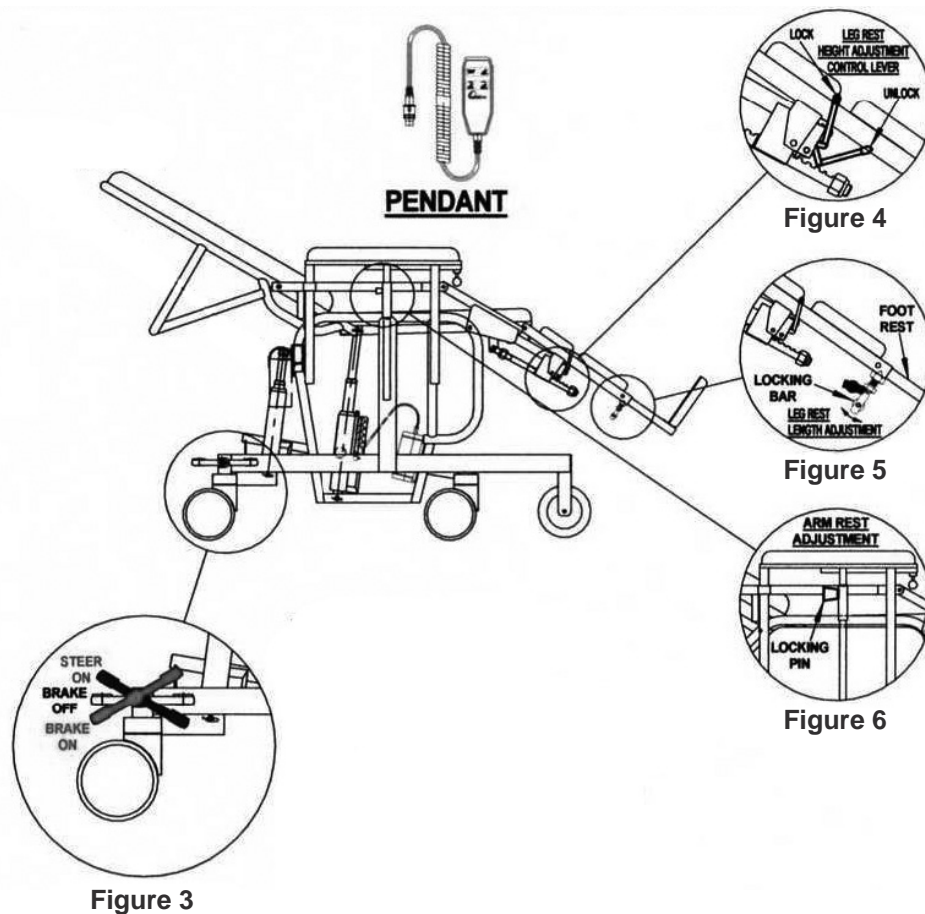
1. Raise leg rest slightly and hold
2. Move lever to unlock position
3. Lower leg rest

Leg Rest Length Adjustment (Figure 5)

1. Hold foot rest
2. Swing and hold locking bar
3. Move foot rest to desired length
4. Release locking bar and move foot rest slightly until pin snaps into locking hole.

Arm Rest Adjustment (Figure 6)

1. Grasp arm rest in center directly above vertical square tubing
2. Pull spring loaded locking pin toward head-end
3. Move arm rest to desired height
4. Release pin and move arm rest slightly up or down until the pin snaps into locking position.

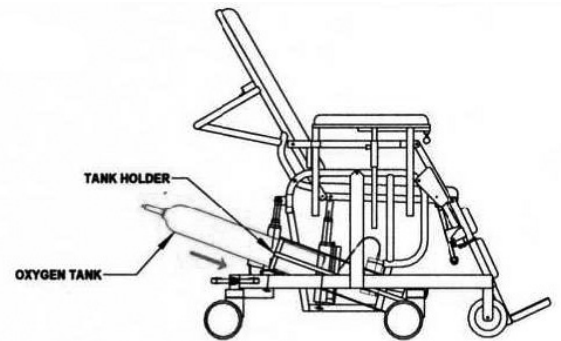


Accessories Instructions for Use

⚠ Caution: Make sure all accessories are properly inserted into holders and storage locations prior to patient use or transport.

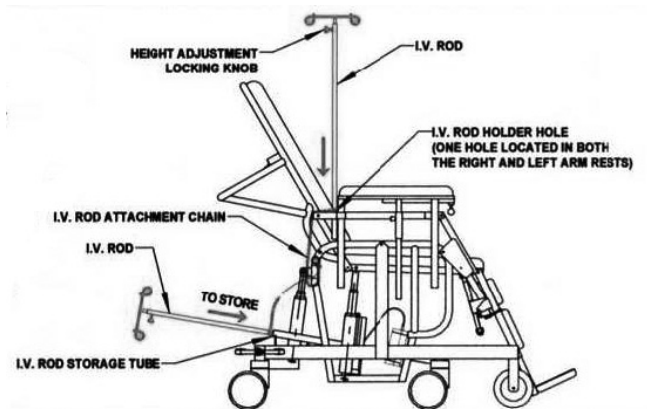
Oxygen Tank Holders

Insert oxygen tank into holder.



I.V. Rod and Assembly

1. The I.V. Rod is attached by chain to the back of the chair.
2. The Rod can be used on either side of the chair by inserting it into the hole in the arm rest on either side.
3. To adjust the height of the I.V. pole, loosen the locking knob and extend the rod to the desired height, then tighten the locking knob.
4. When not in use collapse the rod and store in the storage tube under the chair.

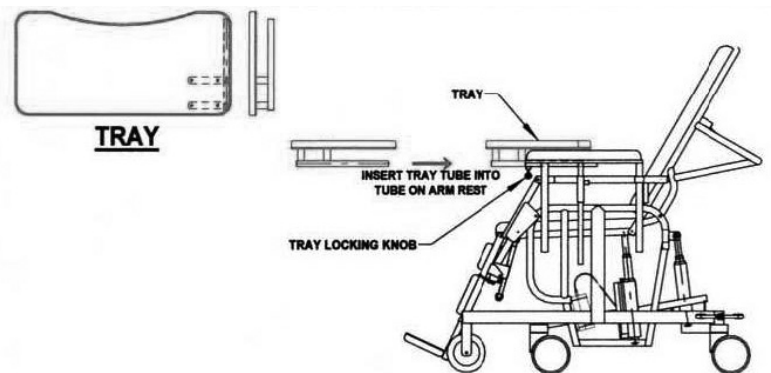


Patient Tray

1. Insert tube on tray into tube on the left hand arm rest.
2. When tray is in place, tighten tray locking knob.

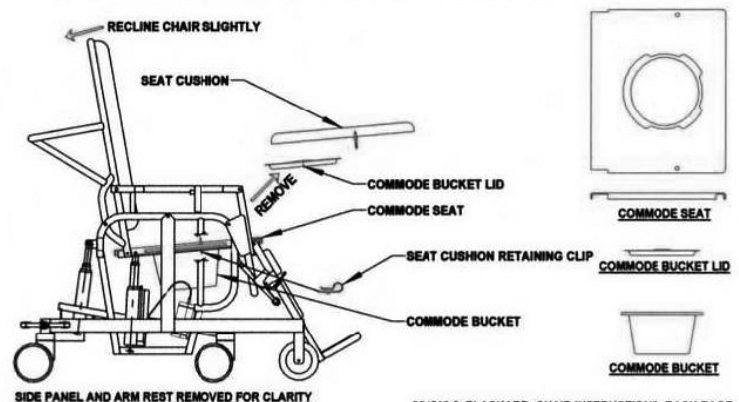
Note: The tray cannot be used as a restraint.

Note: Tray is not available on the 850 model at this time.



Commode Seat Assembly

1. Remove seat cushion retainer clips from under seat.
2. Lift seat cushion and remove from chair (recline chair slightly to assist in easy removal).
3. Remove commode bucket lid and place patient in chair.
4. Remove, empty and clean commode bucket.
5. Replace bucket, lid and seat cushion. Replace seat cushion retaining clips.



Inspection and Maintenance

The amount of maintenance required by the chair will be dictated by its use. At a minimum, the unit should be periodically inspected every 6 months.

Periodic Inspection

1. Check for any loose threaded fittings.
2. Check for torn or soiled upholstery.
3. Check for freedom of motion at all pivot points.
4. Check for freedom of motion of all casters, rolling and swivel
5. Check for tightness of caster brakes with brake lever ON.
6. Check for proper operation of steering lock caster on right front, when standing behind the chair.

Maintenance

1. After a week or two of usage, check all the bolts to be sure that none of them have worked loose and that all pins are in their normal location and securely fastened. Check all welds.
2. Correct any problems discovered during the inspection.
3. Lubricate all pivot points, pins and bolts as required with one drop of light machine oil at each point every 6 months.
4. Check all electrical connections for tightness.
5. Check all electrical wiring for fraying, kinking damage and/or deterioration.

IF ANY DISCREPANCIES ARE NOTED DURING INSPECTION, THEY MUST BE CORRECTED BEFORE CONTINUED USE OF THE CHAIR.

⚠ CAUTION: Used batteries are potentially hazardous to the environment if they are not disposed of properly. Heavy metals, corrosive acids, and lead may seep out from batteries that are carelessly disposed potentially contaminating bodies of water, and harming wildlife and/or humans. Dispose of worn-out batteries at your local recycling center, in the same manner as a lead-acid automotive battery.

Joerns Healthcare Technical Support can provide additional assistance to repair or troubleshoot any problems.

Major service and repair must only be performed by authorized Joerns Healthcare Technical Support, which you may contact at 800.966.6662.

Cleaning

⚠ Caution: Possible Shock Hazard. Possible damage to electrical parts, and/or shock hazard.

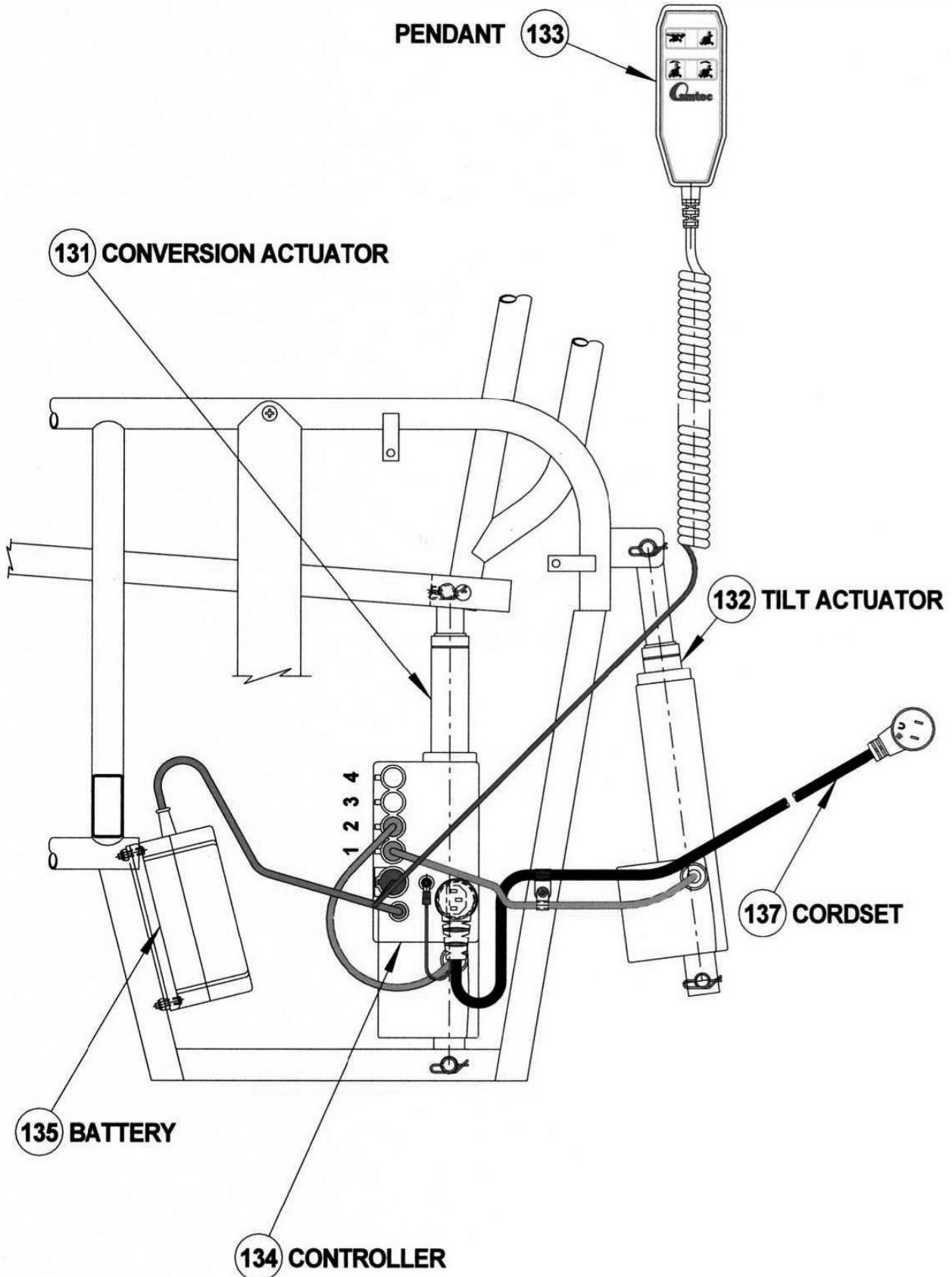
⚠ Warning: Possible Injury. Lock casters when cleaning, inspecting or performing any maintenance on the chair.

1. Clean all electrical components (motors, control box, pendant and cords) on your Joerns® chair with damp, well-wrung out cloth. Excess water in or on electrical parts, could damage these components. Do not submerge pendant in liquid.
2. Your Joerns chair features durable, baked-on epoxy finish that is easily cleaned with mild solution of antiseptic cleaner and warm water. Read and follow all label instructions on your cleaning products.
3. If there is no visible soilage with possible body fluids, we recommend that you clean the cushion surfaces with a mild detergent and warm water. If disinfection is desired, you may use a combination cleanser/ disinfectant.

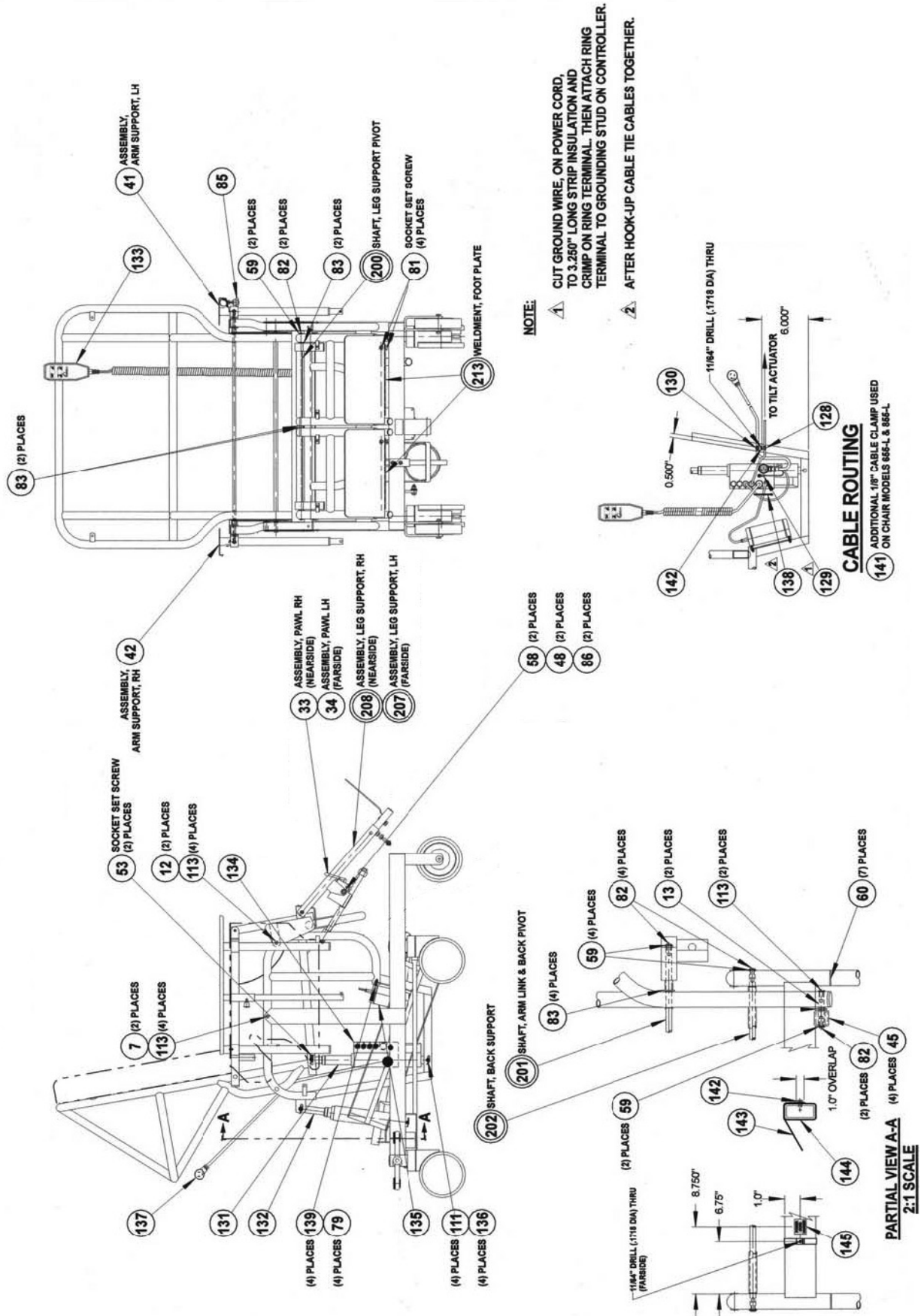
Troubleshooting

Problem	Possible Cause	Solution
Activating pendant button results in no action	Dead battery	Recharge battery
	Defective battery	Replace battery
	Loose wires	Check if pendant is properly plugged in. If it still does not operate, replace battery.
Activating pendant button causes a click noise in the controller but no motor action	Defective wiring between battery box and actuator	Replace actuator
	Defective actuator	Plug defective actuator into the other actuators controller socket. If actuator still does not operate, replace actuator.
Pendant	No functions work	Check that pendant is properly plugged in.
	Some functions work and some do not	Replace pendant.
	Functions working opposite of how they are supposed to operate	Reverse actuator plugs in controller.
Chair does not roll straight	Position of caster pedal	Adjust pedal to steer position.
Leg rest is too high	Leg rest position	Raise or lower leg rest with pin position desired.
Angle of leg rest improper	Leg rest lever position	Adjust leg rest angle using the lever next to the leg rest.
<p>If the above does not resolve the problems, call Joerns Healthcare Technical Support at 800.966.6662. Have the serial number of the chair and make the phone call from as close to the chair as practical.</p>		

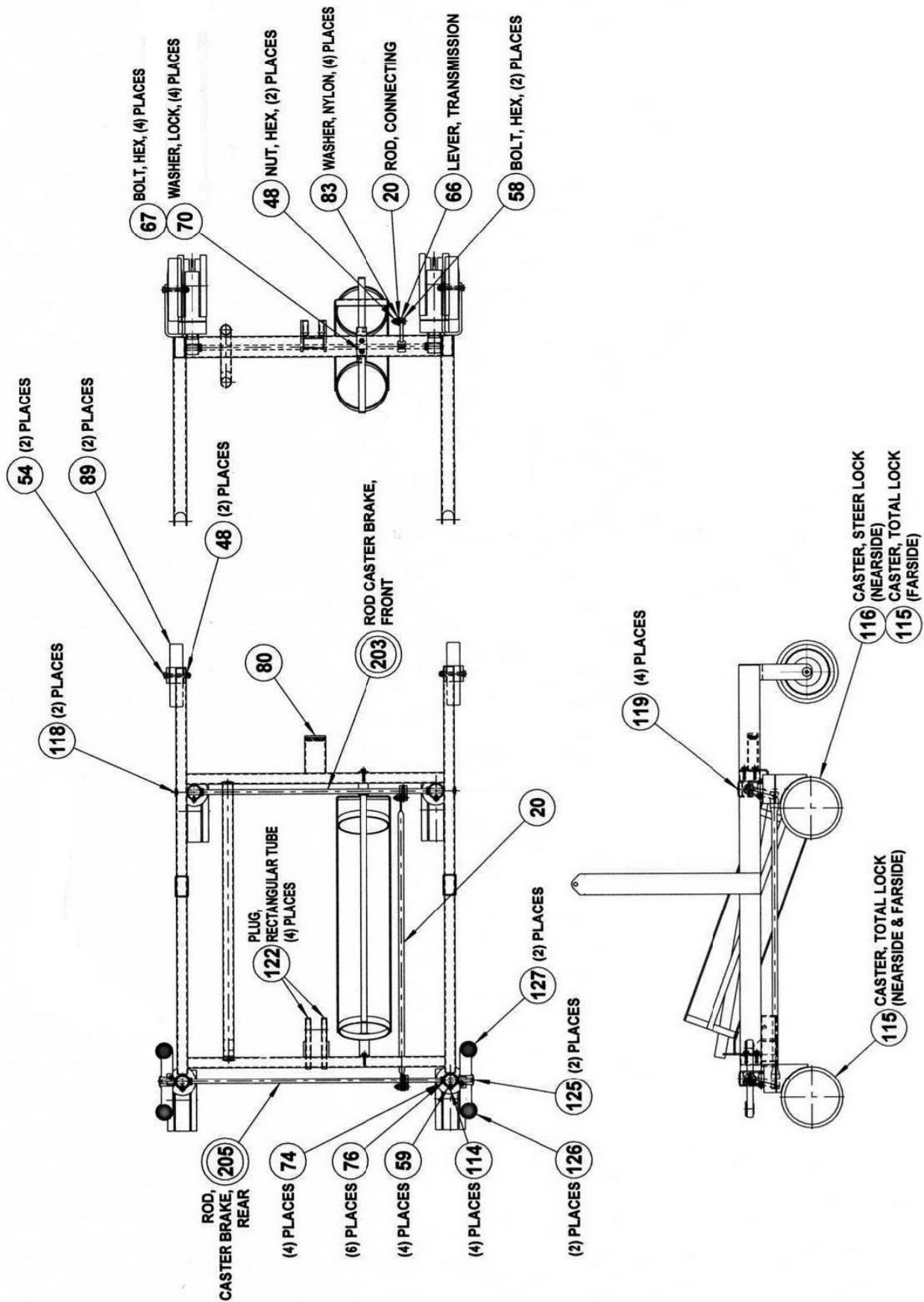
Appendix A - Wiring Diagram



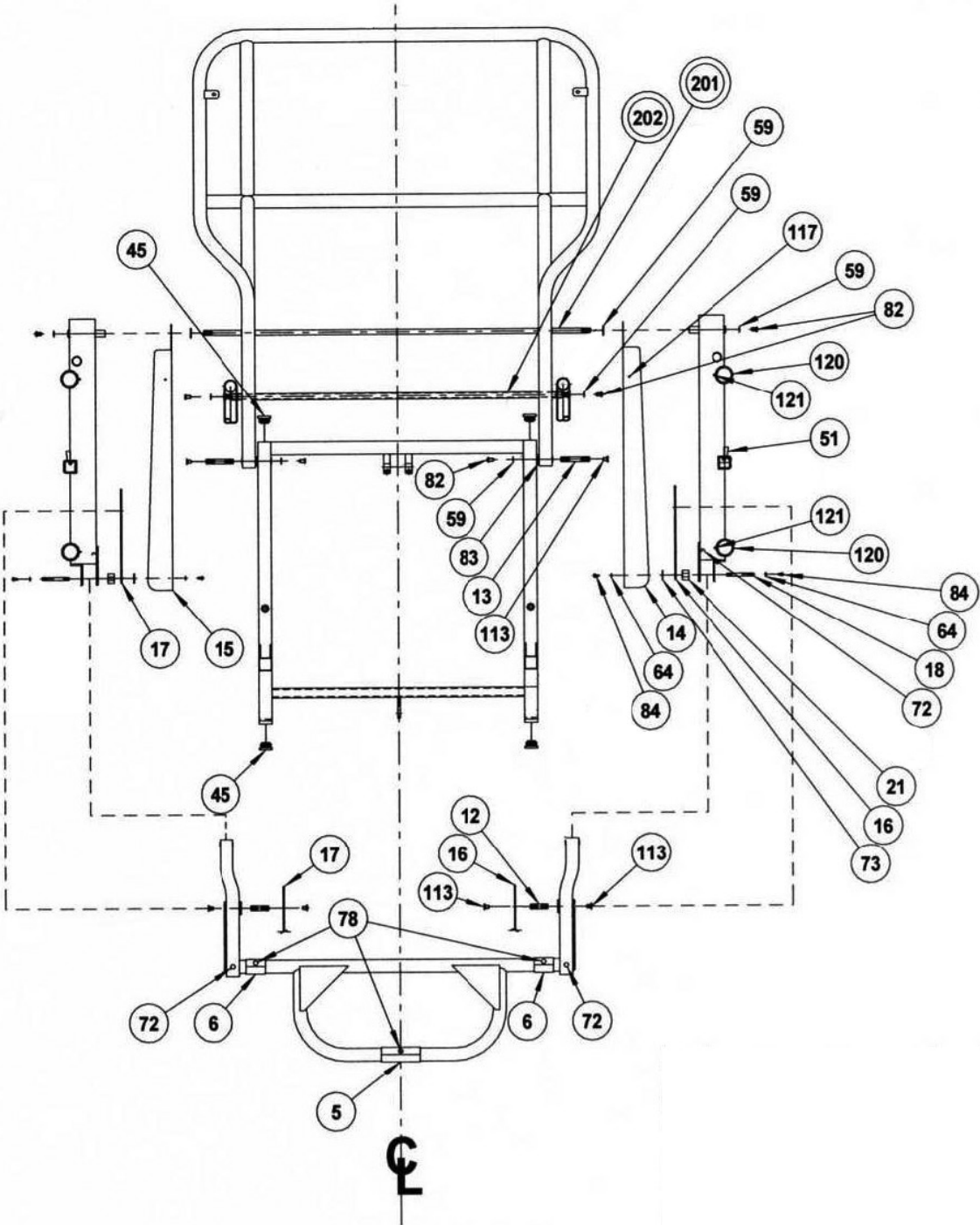
Appendix A - Frame Assembly



Appendix A - Chassis Assembly

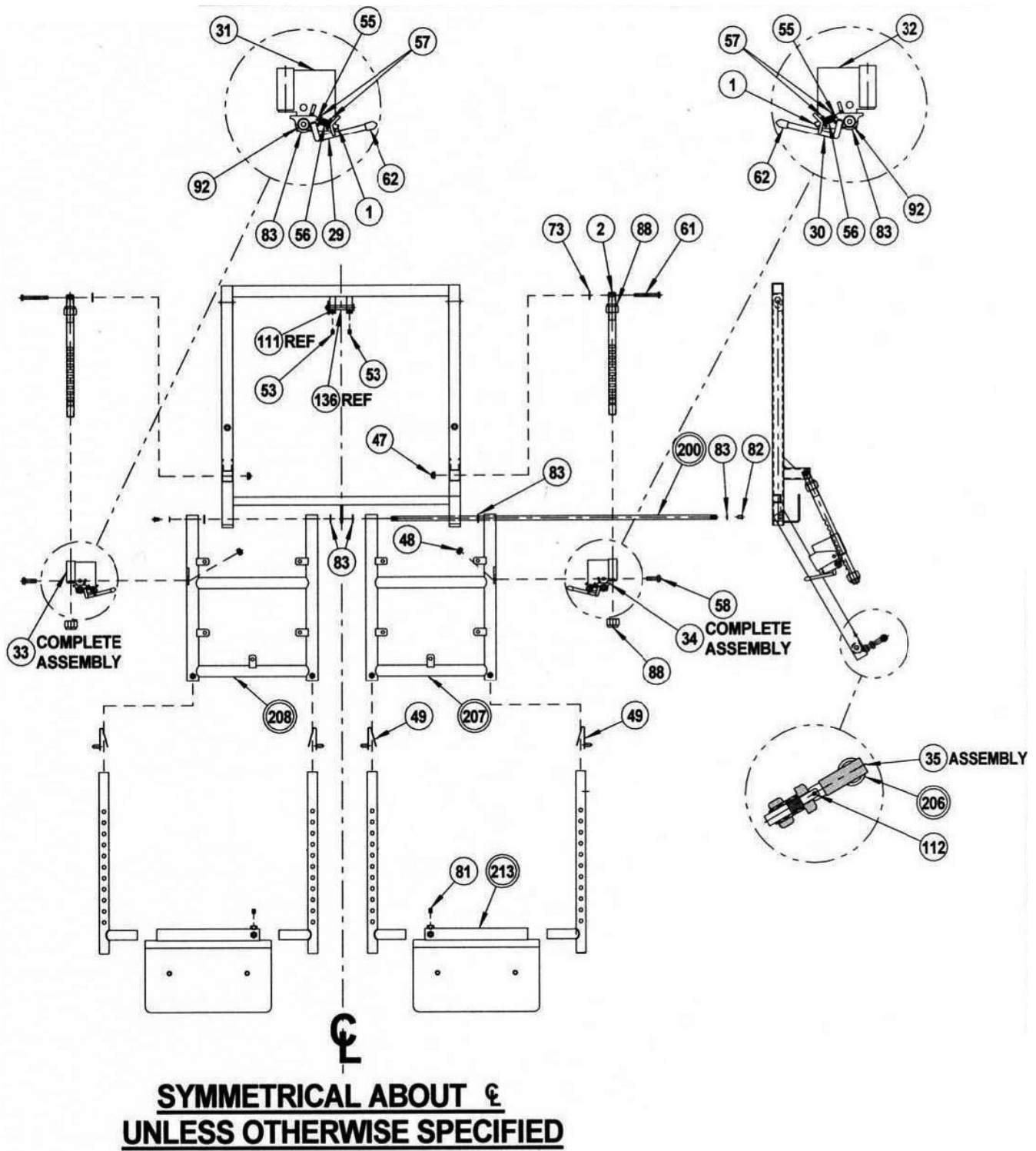


Appendix A - Back and Arm Assembly

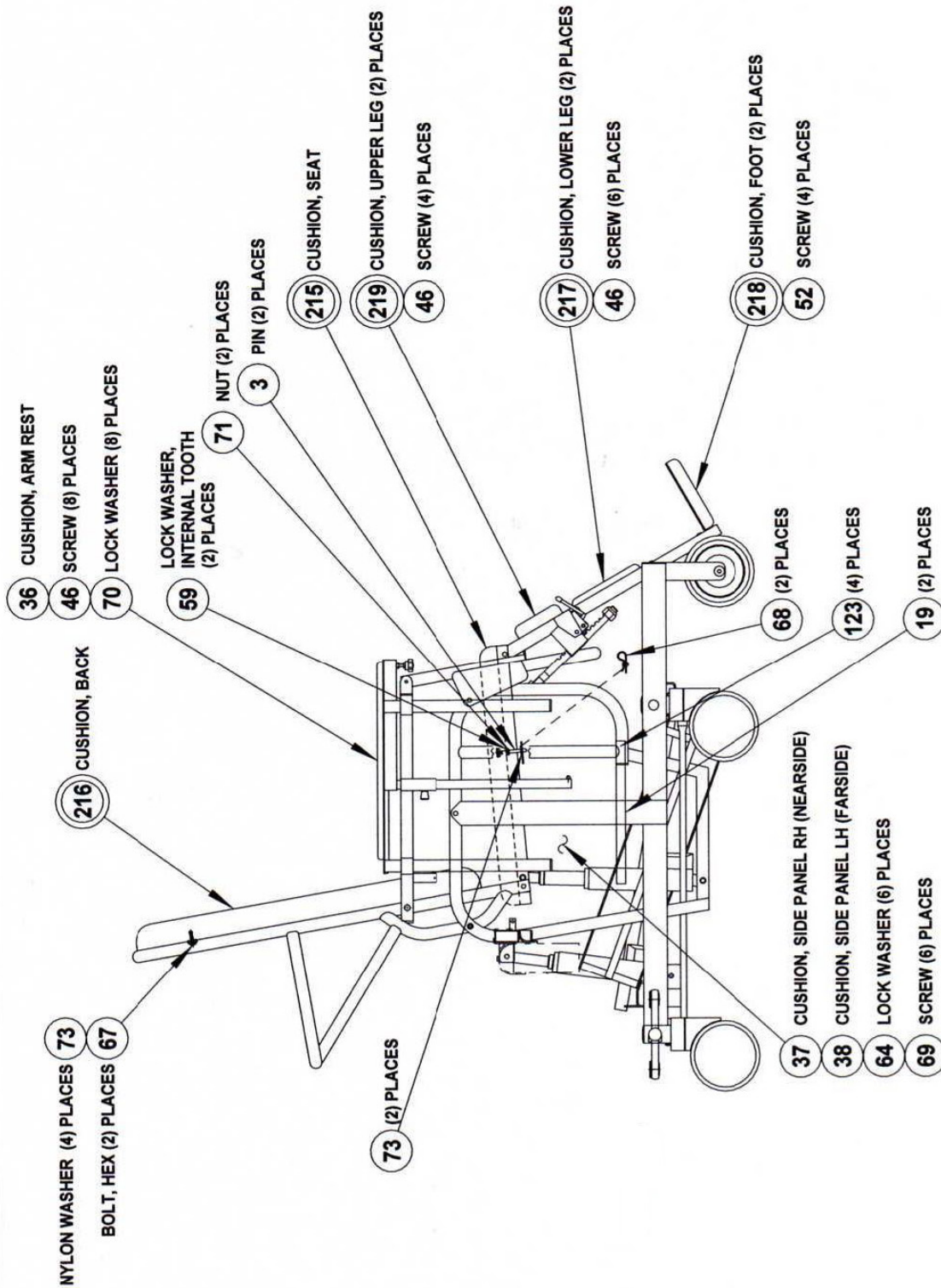


SYMMETRICAL ABOUT C
UNLESS OTHERWISE SPECIFIED

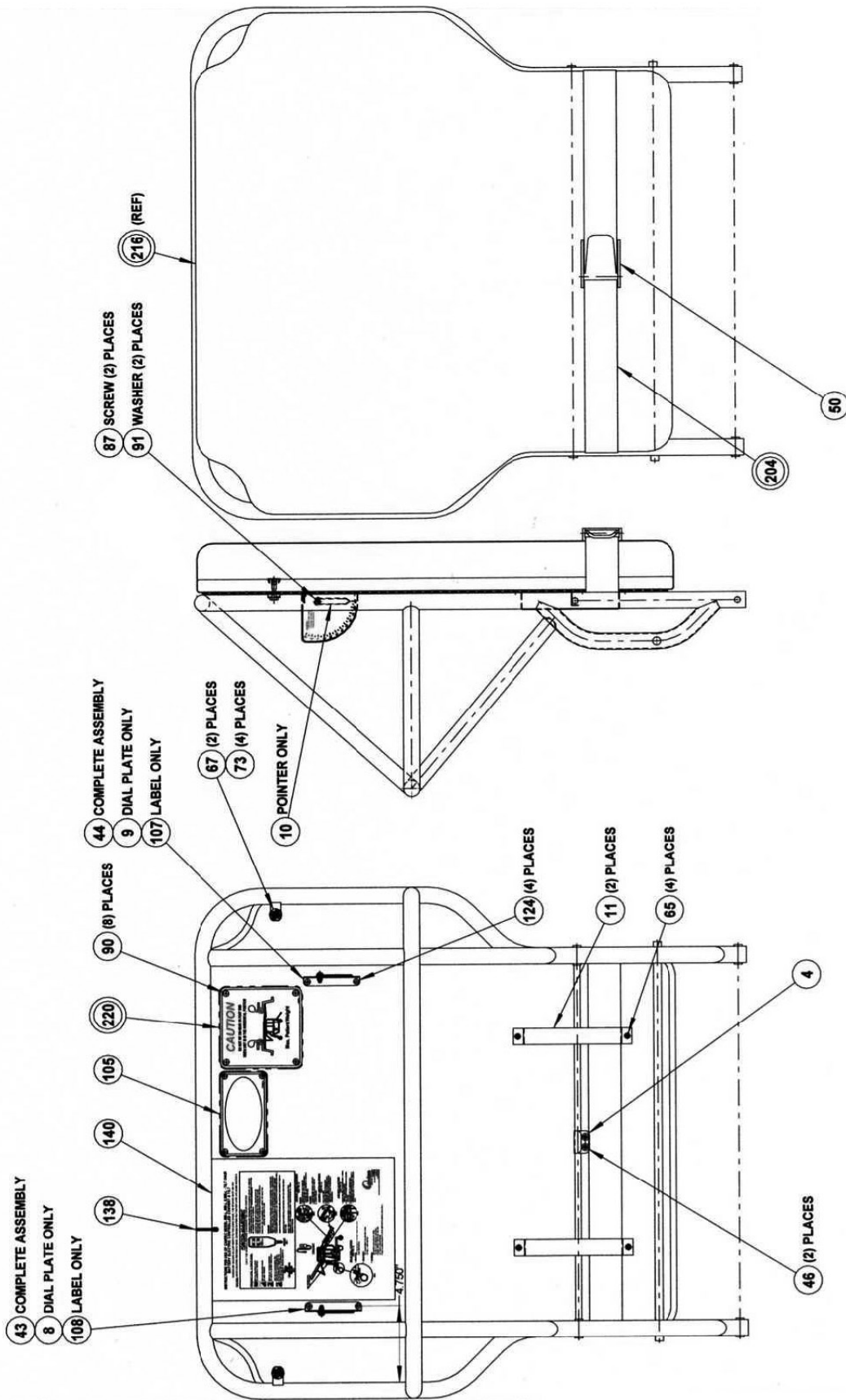
Appendix A - Seat and Leg Assembly



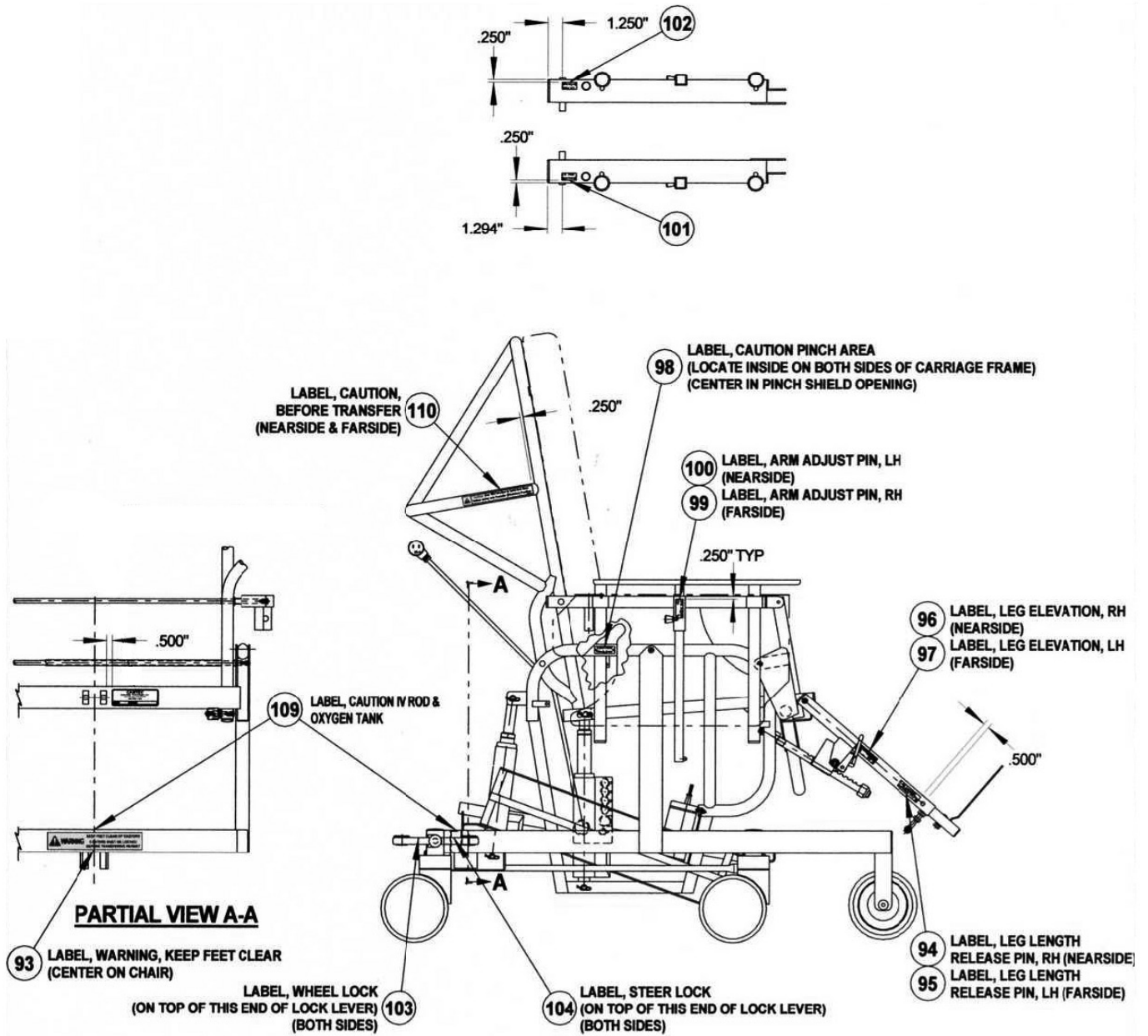
Appendix A - Upholstery Assembly



Appendix A - Back Frame Assembly



Appendix A - Label Locations



Appendix A - Parts List

Item	Part No.	Description
1	100164-0	Pin, Spring Guide
2	100192-1	Ratchet, Leg Adjustment
3	100963-0	Pin, Seat Retainer
4	100965-0	Bracket, Back Retainer
5	101365-0	Sleeve, Friction, Long
6	101366-0	Sleeve, Friction, Short
7	102652-0	Pivot Pin Tilt Chair, 1.136" LG
8	102670-0GY 102670-0SL	Dial Plate Inclinator, LH
9	102671-0GY 102671-0SL	Dial Plate Inclinator, RH
10	102672-0	Pointer, Inclinator
11	102676-0	Bracket, Restraining Belt
12	102702-0	Shaft, Front Frame Pivot
13	102703-0	Shaft, Seat/Back Pivot
14	39001552	Pinch Shield, Outer, LH
15	39001553	Pinch Shield, Outer, RH
16	39001554	Pinch Shield, Inner, LH
17	39001555	Pinch Shield, Inner, RH
18	102749-0	Shaft, Pinch Shield, 2.062" LG
19	102782-0	Wear Strip, Tilt Chair Side Panel
20	103311-0GY 103311-0SL	Rod, Connecting Wheels
21	105122-0	Spacer, Pinch Shield
22		
23		
24		
25		
26		
27		
28		
29	39001556GY 39001556SL	Weldment, PAWL, RH, Leg Height Adjustment
30	39001557GY 39001557SL	Weldment, PAWL, LH, Leg Height Adjustment
31	39001558GY 39001558SL	Weldment, PAWL, Height Adjustment, Base, RH
32	39001559GY 39001559SL	Weldment, PAWL, Height Adjustment, Base, LH
33	39001531GY 39001531SL	Assembly, PAWL, RH
34	39001532GY 39001532SL	Assembly, PAWL, LH

Appendix A - Parts List

Item	Part No.	Description
35	31009625	Assembly, Leg Support, Adjustment Plunger
36	300079-0	Assembly, Cushion, Arm Rest
37	300228-0	Assembly, Side Panel, RH, Tilt Chair
38	300229-0	Assembly, Side Panel, LH, Tilt Chair
39		
40		
41	39001567GY 39001567SL	Assembly, Arm Support, LH, Dual Guide
42	39001568GY 39001568SL	Assembly, Arm Support, RH, Dual Guide
43	300143-0GY 300143-0SL	Assembly, Inclinator, LH (Old Part Number: 400067-0)
44	300144-0GY 300144-SL	Assembly, Inclinator, RH (Old Part Number: 400068-0)
45	900005-0	Cap, Square, 1"
46	900014-0	Screw, #14 x 5/8" LG., Pan Head Phillips, Type A
47	900016-0	Nut, 1/4-20 Hex, ESNA
48	900045-0	Nut, 5/16-18 Hex, ESNA
49	900049-0	Detent, Valcro #8-141
50	900050-0	Buckle, 2" Black
51	900051-0	Plunger, Southco
52	900053-0	Screw, #10 x 3/4" LG., Flat Head Phillips
53	900059-0	Screw, 1/4-20 x 1/4" LG., Socket Set, 1/2 Dog Point
54	900063-0	Bolt, Hex, 5/16-18 x 2 1/4" LG
55	900070-0	Dowel, Pin, 3/32" DIA x 1/2" LG
56	900073-0	Spring, Compression
57	208-0510	Washer, Flat, #10 (Old Part Number: 900075-0)
58	900076-0	Bolt, Hex, 5/16-18 x 1" LG
59	900085-0	Washer, Lock, 1/4" Internal Tooth
60	900087-1	Caplug, 1" Black Plastic
61	900088-0	Bolt, Hex, 1/4-20 x 2 1/4" LG
62	900100-0	Tip, 1/4" DIA Rod
63		
64	900103-0	Washer, Lock, #10 Internal Tooth
65	900111-0	Screw, #10 x 5/8" LG., Pan Head Phillips, Type A
66	900122-1	Lever, Transmission
67	900147-0	Bolt, Hex, 1/4-20 x 1" LG
68	900157-0	Pin, Hair Cotter
69	900238-0	Screw, #8-32 x 1/2" LG., Pan Head Phillips
70	900258-S	Washer, Lock, 1/4" Split
71	900259-S	Nut, 1/4-20 Hex
72	900262-0	Bumper, Rubber 3/8" x 1/4"

Appendix A - Parts List

Item	Part No.	Description
73	900282-0	Washer, ¼" x ¾" x 1/16", Nylon
74	900358-0	Retaining Ring
75		
76	900419-0	Washer, ½" x ¾" x 1/16", Nylon
77		
78	900609-0	Rivet, Pop, ⅛" DIA x 3/16" Alum
79	900614-S	Nut, #8-32 Hex Nylock
80	900658-0	Caplug, 1" x 2"
81	900888-0	Screw, 5/16-24 x 5/16" LG., Nylon Tip
82	900990-0	Screw, ¼-20 x ⅜" LG., Button Head, Socket
83	900991-0	Washer, ⅜" x ¾" x 1/16", Nylon
84	900992-0	Screw, #8-32 x ¼" LG., Button Head
85	901013-0	Knob
86	901016-0	Washer, 5/16" x ¾" x 1/16", Nylon
87	901061-0	Screw, #10-32 x ½", LG., Round Head Phillips
88	901086-0	Nut, 5/16-18 Hex ESNA
89	902015-0	Wheel, Tente
90	903194-0	Screw, #6 x ⅜" LG., Phillips
91	208-0509	Washer, Flat, #8 (Old Part Number: 903205-0)
92	903212-0	Shoulder Bolt, ⅜" DIA x ⅝" LG
93	903502-0	Label, Warning Keep Feet Clear
94	903526-0	Label, Leg Length Release Pin, RH
95	903527-0	Label, Leg Length Release Pin, LH
96	903528-0	Label, Leg Elevation On/Off, RH
97	903529-0	Label, Leg Elevation On/Off, LH
98	903530-0	Label, Caution Pinch Area
99	903531-0	Label, Arm Adjust Pin, RH
100	903532-0	Label, Arm Adjust Pin, LH
101	903533-0	Label, I.V. Pole Socket, RH
102	903534-0	Label, I.V. Pole Socket, LH
103	903535-0	Label, Wheel Lock
104	903536-0	Label, Swivel Lock
105	903554-0	Label, Logo, Care Givers Choice
106		
107	903557-0	Label, Inclinator, RH
108	903558-0	Label, Inclinator, LH
109	903559-0	Label, Caution I.V. Rod & Oxygen Tank
110	903560-0	Label, Caution Before Transfer
111	903593-0	Pin, Cotter, ⅜" DIA Shaft
112	903608-0	Screw, ¼-20 x 5/16" LG. Socket Set, Cup Point
113	903627-0	Screw, ¼-20 x ⅜" LG., Flat Head Phillips

Appendix A - Parts List

Item	Part No.	Description
114	903630-0	Screw, 6mm x 10mm Pan Head Phillips
115	39001560	Caster, Total Lock
116	39001561	Caster, Steer Lock
117	903638-0	Rivet, Pop, 1/8" DIA x 56/16" LG., Steel
118	903651-0	Plug, Finishing, 0.500" ID Black Poly
119	903652-0	Plug, Finishing, 1/4" ID Steel
120	903654-0	Bearing, Nylon, Double Flange, 1" ID
121	903667-0	Rivet, Blind 1/8" DIA x 3/8" LG Aluminum
122	903679-0	Plug, Rectangular Tube, 1/2" x 1 1/2"
123	903707-0	Screw, #6 x 1/2" LG., Flat Head Phillips, Wood
124	903718-0	Screw, #6 x 5/8" LG., Pan Head Phillips, Sheet Metal
125	39001562	Lever, Caster Locking, Double Lever
126	903995-0	Plug, Caster Lever, Red
127	903996-0	Plug, Caster Lever, Green
128	904071-0	Cable Clamp, 3/16" Nylon
129	904098-0	Terminal Ring, 16-14 AWG
130	904120-0	Cable Clamp, 1/4" Steel, Vinyl Coated
131	39001563	Actuator, Linak, 374mm Install, 192mm Stroke
132	39001564	Actuator, Linak, 300mm Install, 92mm Stroke
133	904182-0	Pendant, CareChair, Linak
134	39001565	Controller, CareChair, Linak
135	39001566	Battery, CareChair, Linak
136	904190-0	Pin, Clevis, 10mm x 60mm LG.
137	11012283	Cordset, Angled Mains and Control Box End (Old Part Number: 904203-0)
138	12160281	Cable Tie, 10" (Old Part Number: 904207-0)
139	904208-0	Screw, #8-32 x 3/4" LG., Pan Head Phillips
140	904210-0	Placard, Chair Instructions, Linak
141	904071-0	Cable Clamp (Old Part Number: 903233-0)
142	903653-0	Screw, 10-24 x 1/2" LG. Self Tapping, Hex Washer Head
143	102769-0	Strap, Chair Cord Hanger, Velcro Loop
144	106459-0	Strap, Cord Hanger, Velcro Hook
145	903489-0	Label, Power Cord Hanger

Appendix A - Chair Conversion List

Item	Description	Chair Model Number		
		550	650	850
		Part No.	Part No.	Part No.
200	Shaft, Legs	100906-0	105039-0	105040-0
201	Shaft, Arm Link & Back Pivot	102760-0	102759-0	102757-0
202	Shaft, Back Support	104306-0	102709-0	102701-0
203	Rod Caster Brake, Front	39001537	39001538	39001539
204	Belt, Restraining, 8	104338-0	104339-0	104340-0
205	Rod, Caster Brake, Rear	39001534	39001535	39001536
206	Weldment, Tie Tube Adj Lever	39001551GY 39001551SL	39001541GY 39001541SL	39001542GY 39001542SL
207	Weldment, Leg Support, LH	39001548GY 39001548SL	39001544GY 39001544SL	39001546GY 39001546SL
208	Weldment, Leg Support, RH	39001547GY 39001547SL	39001543GY 39001543SL	39001545GY 39001545SL
209				
210				
211				
212				
213	Weldment, Foot Plate	39001549GY 39001549SL	39001533GY 39001533SL	39001540GY 39001540SL
214				
215	Assembly, Cushion, Seat	300086-0	300095-0	300189-0
216	Assembly, Cushion, Back	300087-0	300096-0	300190-0
217	Assembly, Cushion, Lower Leg	300088-0	300097-0	300191-0
218	Assembly, Cushion, Foot	300089-0	300098-0	300192-0
219	Assembly, Cushion, Upper Leg	300090-0	300099-0	300193-0
220	Label, Do Not Sit	903544-0	903545-0	903546-0

Notes



Joerns Healthcare Warranty Program for Joerns® CareChair

Joerns CareChair, Model 550B, 650B and 850B, are guaranteed for a period of five years from the date of delivery, against defects in materials and workmanship, under normal use and service.

A two-year warranty includes all mechanical and electrical components.

A one-year warranty includes all upholstery and caster components.

Steel structural components on chairs are covered under warranty for a period of five years from the date of delivery.

Welds are covered under warranty for the lifetime¹ of the product.

Damage caused by use in unsuitable environmental conditions, abuse or failure to maintain the product in accordance with user and service instructions is not covered.

Any alteration, modification, or repair unless performed by or authorized in writing by Joerns Healthcare, will void this warranty.

Parts

Joerns CareChairs contain various parts that wear from normal use, such as batteries. These parts are not covered under the stated warranty but are covered for 90 days after date of delivery.

¹ Weld lifetime defined as 15 years.

Joerns Healthcare's obligation under this warranty is limited to supplying replacement parts, servicing or replacing, at its option, any product which is found by Joerns Healthcare to be defective.

Warranty replacement parts are covered by the terms of this warranty until the product's original stated warranty period expires.

When requested by Joerns Healthcare, parts must be returned for inspection at the customer's expense. Credit will be issued only after inspection.

Service

Most service requests can be handled by the facility Maintenance Department with assistance from the Joerns Healthcare Product Service Department.

Most parts requested can be shipped next day air at the customer's expense.

Should a technician be required, one will be provided by Joerns Healthcare, at our discretion. Only the Joerns Healthcare Product Service Department can dispatch authorized technicians.

This warranty is extended to the original purchaser of the equipment.

Manufactured by:
Joerns Healthcare
2100 Design Rd.
Arlington, TX 76014

Post Acute, Acute, HomeCare
2430 Whitehall Park Dr. Ste 100
Charlotte, NC 28273
(P) 800.826.0270
(F) 800.457.8827

VA/Government
19748 Dearborn Street
Chatsworth, CA 91311
(P) 800.966.6662
(F) 800.232.9796

Canadian Office
4056 Meadowbrook Drive, Unite #148
London, ON Canada N6L 1E5
(P) 866.546.1151
(F) 519.451.8662

**United Kingdom and
Other Countries**
+44 (0)844 811 1156
+44 (0)844 811 1157

Netherlands
+31 (0)30 6363700
+31 (0)30 6363799